

Be sure to read this instruction manual before using this product.
Keep this manual available for reference when needed.

Instruction for Use

Trade Name: V Attachment for Traction Device

Warning

When using operating table accessories, always pay close attention to the patient. Patients left in the same posture for an extended period of time are at risk for developing nerve paralysis and/or bedsores.

Contraindication/Prohibition

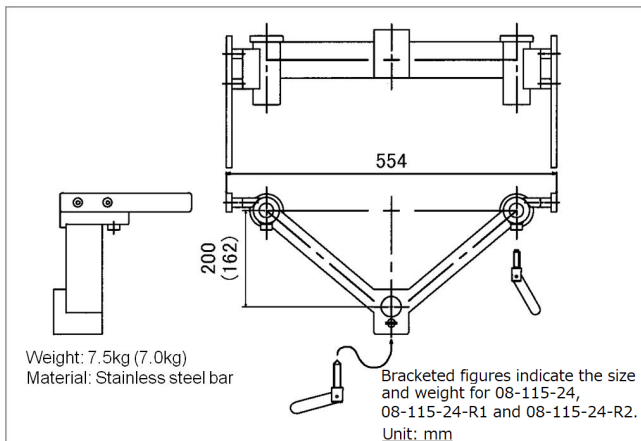
1. This product is only validated for use with Mizuho operating tables.
2. For surgery tables with a built-in slide that is instructed to use at the midpoint position, use only with that position.

Symbol mark for labeling

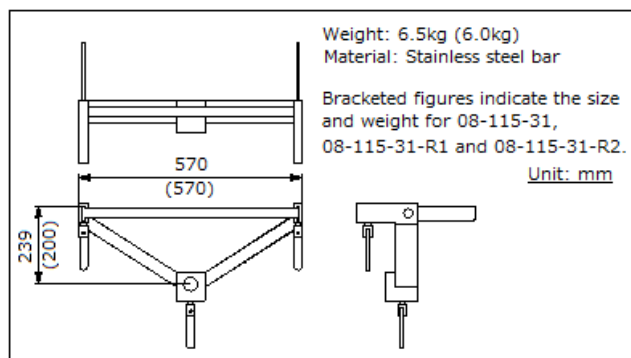
MD : Medical Device

Specifications

1. Shape



Code No.	Product Description
08-115-23	V Attachment Pin Type
08-115-23-R1	V Attachment Pin Type (R1)
08-115-23-R2	V Attachment Pin Type (R2)
08-115-24	V Attachment Pin Type for Radiographic Table Top
08-115-24-R1	V Attachment Pin Type for Radiographic Table Top (R1)
08-115-24-R2	V Attachment Pin Type for Radiographic Table Top (R2)



Code No.	Product Description
08-115-30	V Attachment Side Rail Type
08-115-30-R1	V Attachment Side Rail Type (R1)
08-115-30-R2	V Attachment Side Rail Type (R2)
08-115-31	V Attachment Side Rail Type for Radiographic Table Top
08-115-31-R1	V Attachment Side Rail Type for Radiographic Table Top (R1)
08-115-31-R2	V Attachment Side Rail Type for Radiographic Table Top (R2)

2. Applicable operating tables
Refer to the brochure "OPERATING TABLE ACCESSORIES" of Mizuho.

Intended purpose

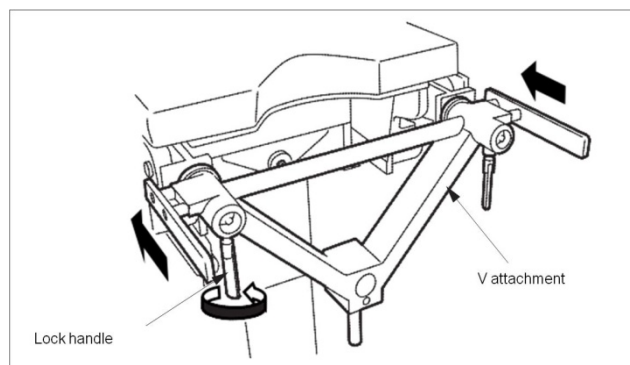
This is an accessory to an operating table.
The equipment is designed for attaching a traction device.

Intended user

This product is to be used by health care professionals, including but not limited to surgeons, nurses and biomedical technicians.

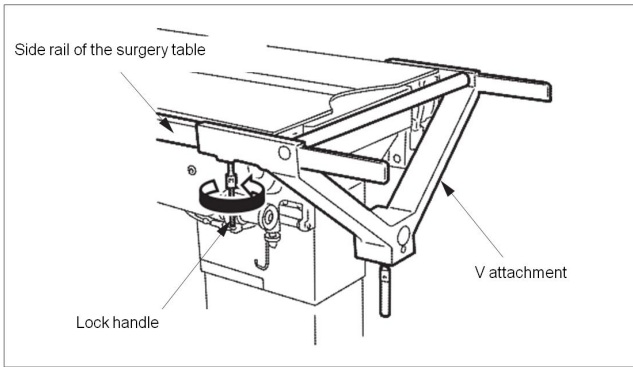
Instructions for use

V attachment for traction device for 3500 series



1. Remove the leg plate from the operating table.
2. Mount the V attachment to the leg plate mounting pin of the operating table.
3. Lock by rotating the lock handle.

V attachment for 5602BW & 5701& VS600 series



1. Remove the leg plate from the operating table.
2. Mount the V attachment to the side rails of the operating table.
3. Lock by rotating the lock handle.

Warning/Caution

1. Warning
 - 1-1. When attaching this product to the operating table, make sure to fully insert this product to the leg plate mounting pins or side rails of the operating table. Otherwise the product may come off or move, which may result in a patient injury.
 - 1-2. Ensure all fixing handles are tight. Loose condition can cause the product to come off or move, which may result in a patient injury.
2. Important caution
 - 2-1. When working with an operating table, take care not to allow this product to make contact or interfere with the table top or with other tools and appliances used in combination with this product. Otherwise the product could break.
 - 2-2. For hygiene, be sure to use sterilized drapes on the areas on this product where the patient comes into contact with it.

Storage/Life

1. Do not store the device in high temperatures or in areas with high humidity where the temperature has drastic variations.
2. Service life of this product: 7 years
(Subject to the specified maintenance and inspection and is stored properly.)

Maintenance/Inspection

<By the user>

1. Inspection before and after use
Check that this product is not damaged or broken before and after each use.
2. Cleaning and disinfection
Wipe off blood, chemicals, contaminants, and other stains with water, and clean the device with gauze or other material moistened with alcohol to disinfect.
3. In case of a malfunction
When this product is broken, clearly label the device as "Broken", "Do not use", "Need repair", etc., and contact your local dealer or Mizuho.

<By agents>

Maintenance and inspection can only be carried out by certified agents of Mizuho.

Packing

1 piece per pack

Warranty

MIZUHO Corporation will repair defective parts of this product without charge for one year from the date of delivery/installment except for cases of damage caused by a third party's repair, act of nature, improper use or intentional damage. All other warranty terms and conditions are subject to regulations of MIZUHO Corporation.

Disposal

This device must be disposed of in accordance with local regulations. Please contact your local distributor for proper disposal.

Notice

Any serious incident that has occurred in relation to the device should be reported to the manufacturer and the competent authority in which the user and/or patient is established.

Manufacturer



MIZUHO Corporation
3-30-13 Hongo, Bunkyo-ku, Tokyo 113-0033, Japan
<http://www.mizuho.co.jp>

European authorized representative



Emergo Europe B.V.
Prinsessegracht 20, 2514 AP, The Hague
The Netherlands